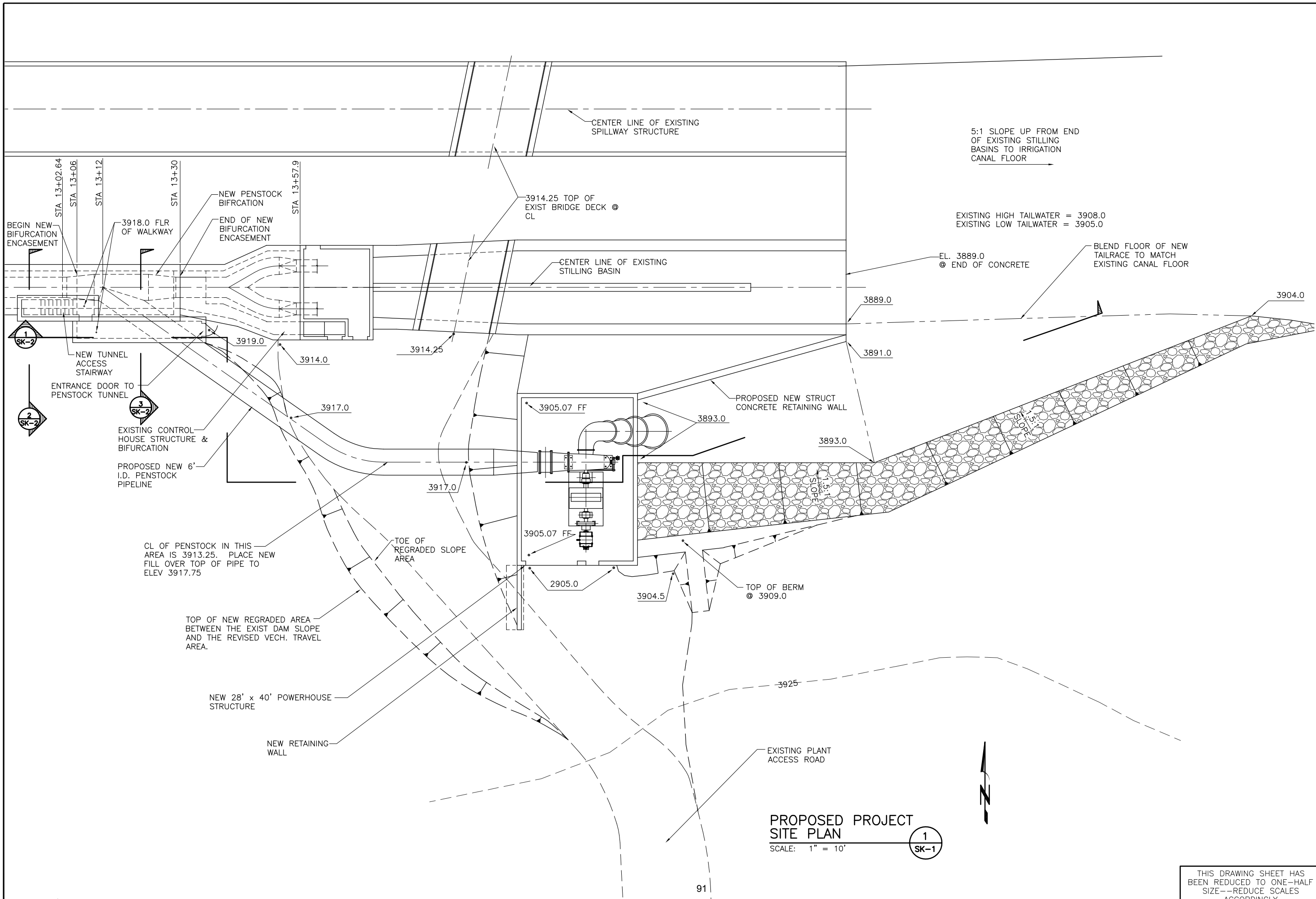


## EXHIBIT F – PRELIMINARY DESIGN DRAWINGS



ACAD PLOT SCALE 1/10XP

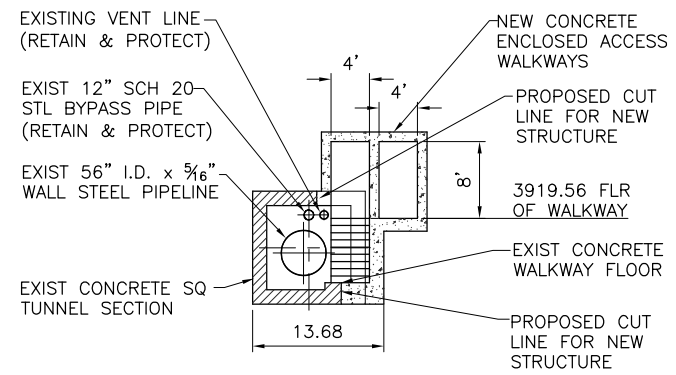
91

**PROPOSED PROJECT SITE PLAN**  
 SCALE: 1" = 10' 1  
SK-1

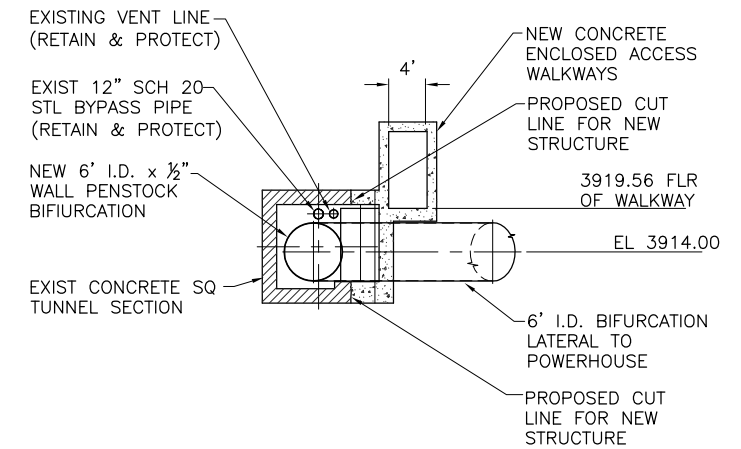


THIS DRAWING SHEET HAS BEEN REDUCED TO ONE-HALF SIZE--REDUCE SCALES ACCORDINGLY

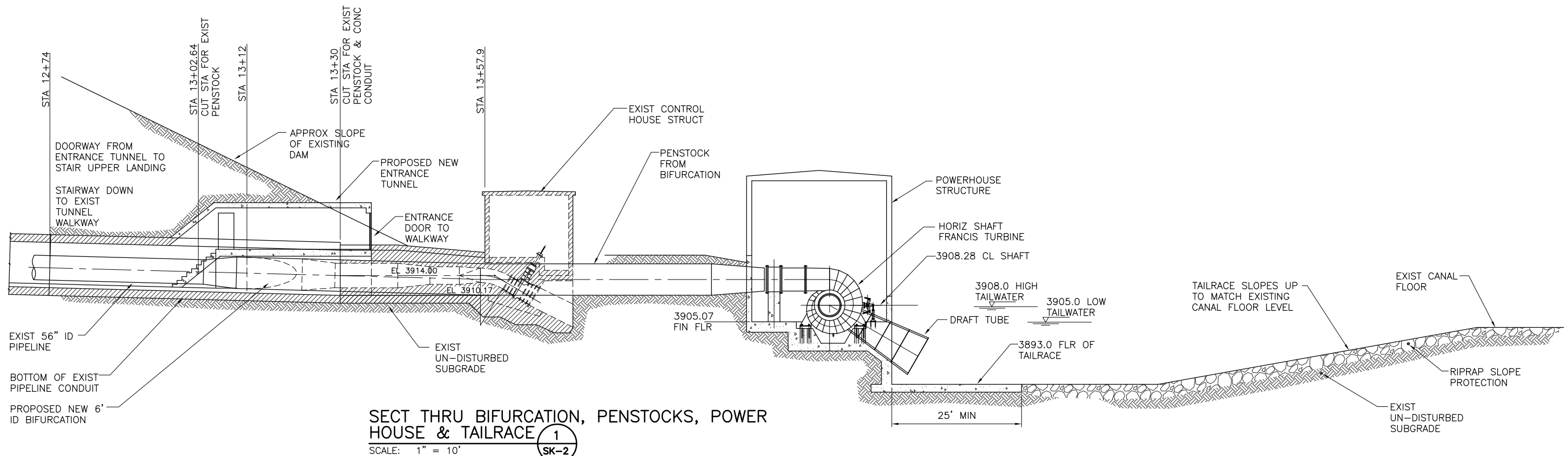
	<b>REVISIONS</b>				
REV	LTR	DATE	DRAWN	CHECKED	APPROVED
		OCTOBER 2009	SPB	SUB	TSS
			TSS	TSS	TSS
<b>BAKER HYDROELECTRIC PROJECT BAKER VALLEY IRRIGATION DISTRICT</b>					
<b>PROPOSED SITE PLAN</b>					
<b>SORENSEN ENGINEERING CONSULTING ENGINEERS</b> IDAHO FALLS, IDAHO					
SCALE: 1" = 10'					
DRAWING NO. <b>D09-1021</b>					
SHEET NO. <b>SK-1</b>					



SECT THRU TUNNEL ACCESS  
STAIR & WALKWAY 2  
SCALE: 1" = 1'-0" SK-2

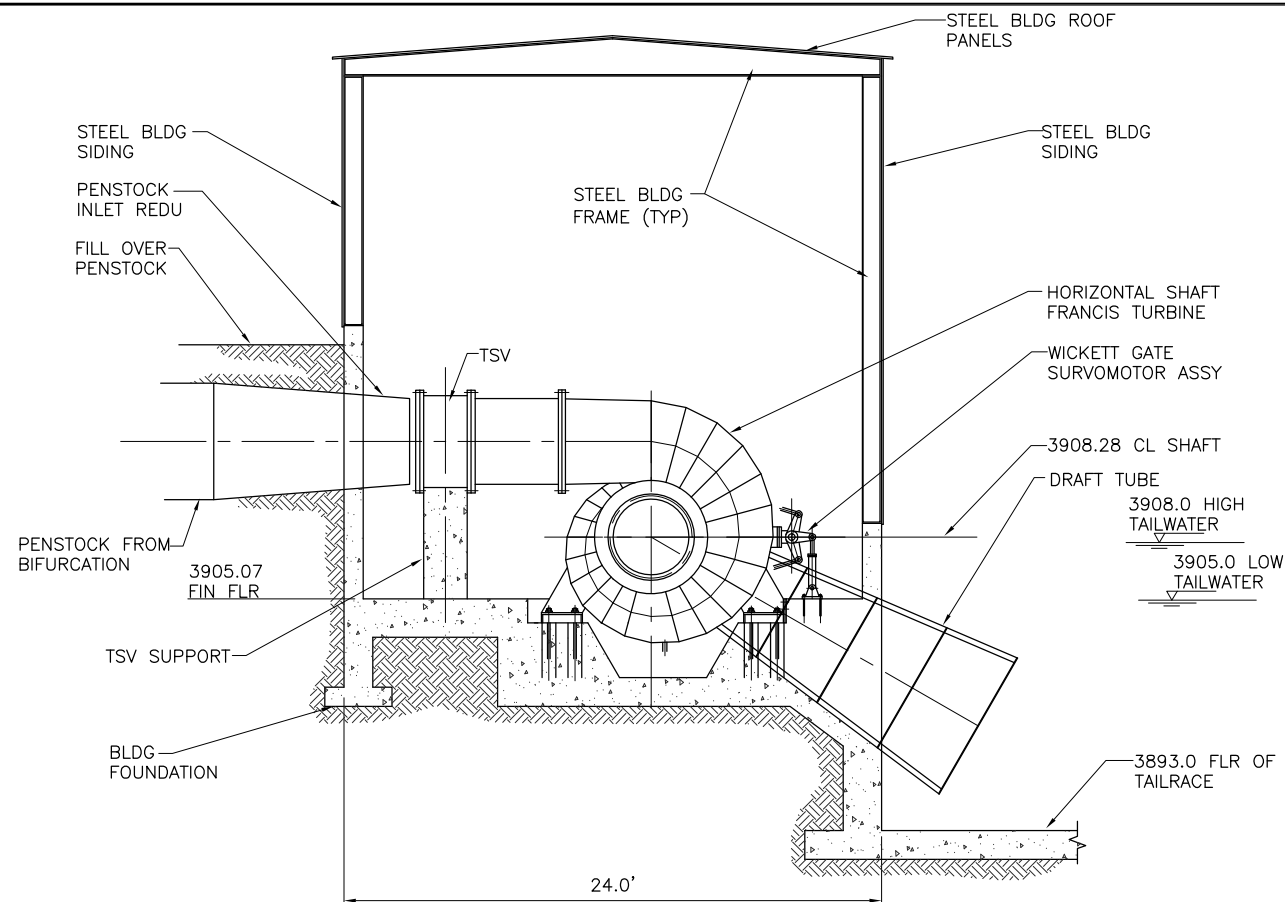


SECT THRU BIFURCATION  
& WALKWAY 3  
SCALE: 1" = 1'-0" SK-2

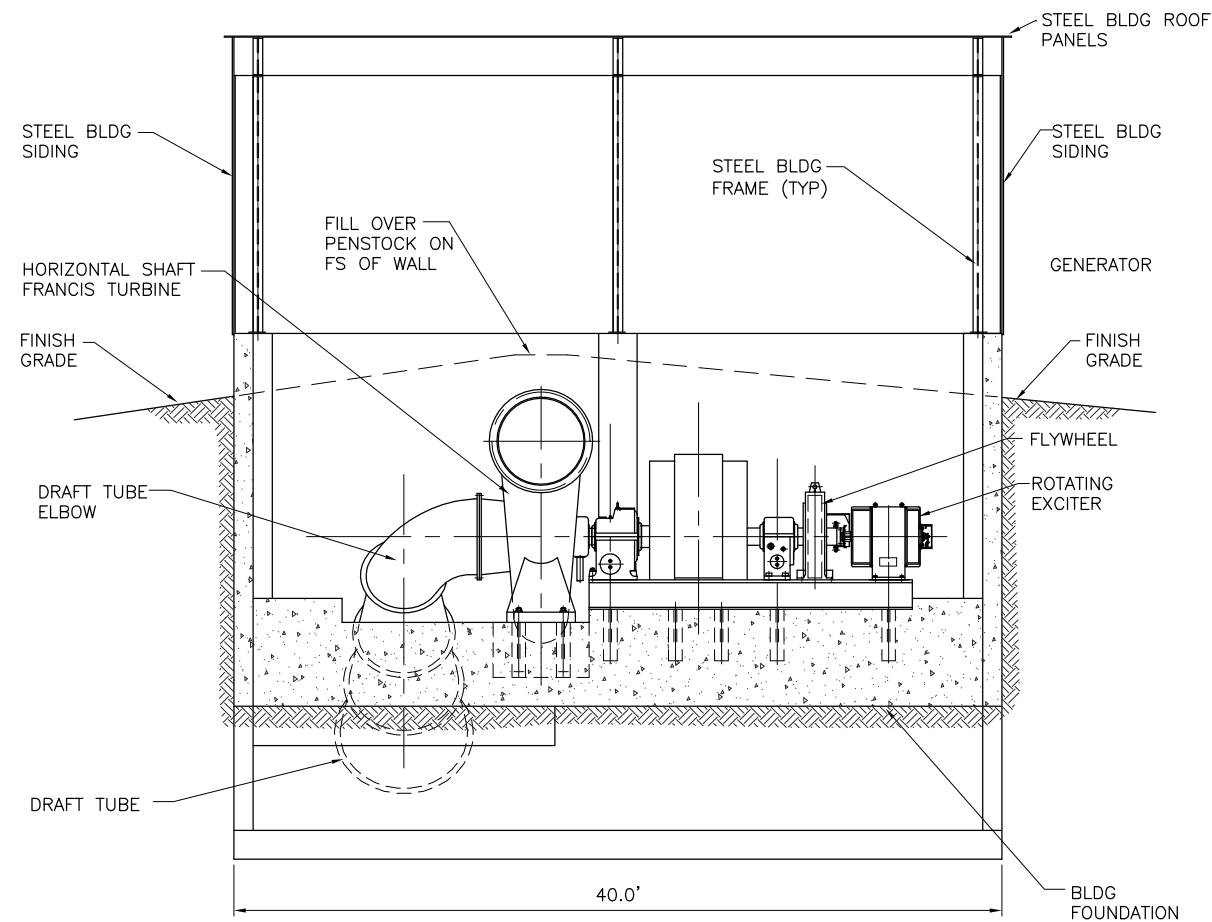


SECT THRU BIFURCATION, PENSTOCKS, POWER  
HOUSE & TAILRACE 1  
SCALE: 1" = 10' SK-2

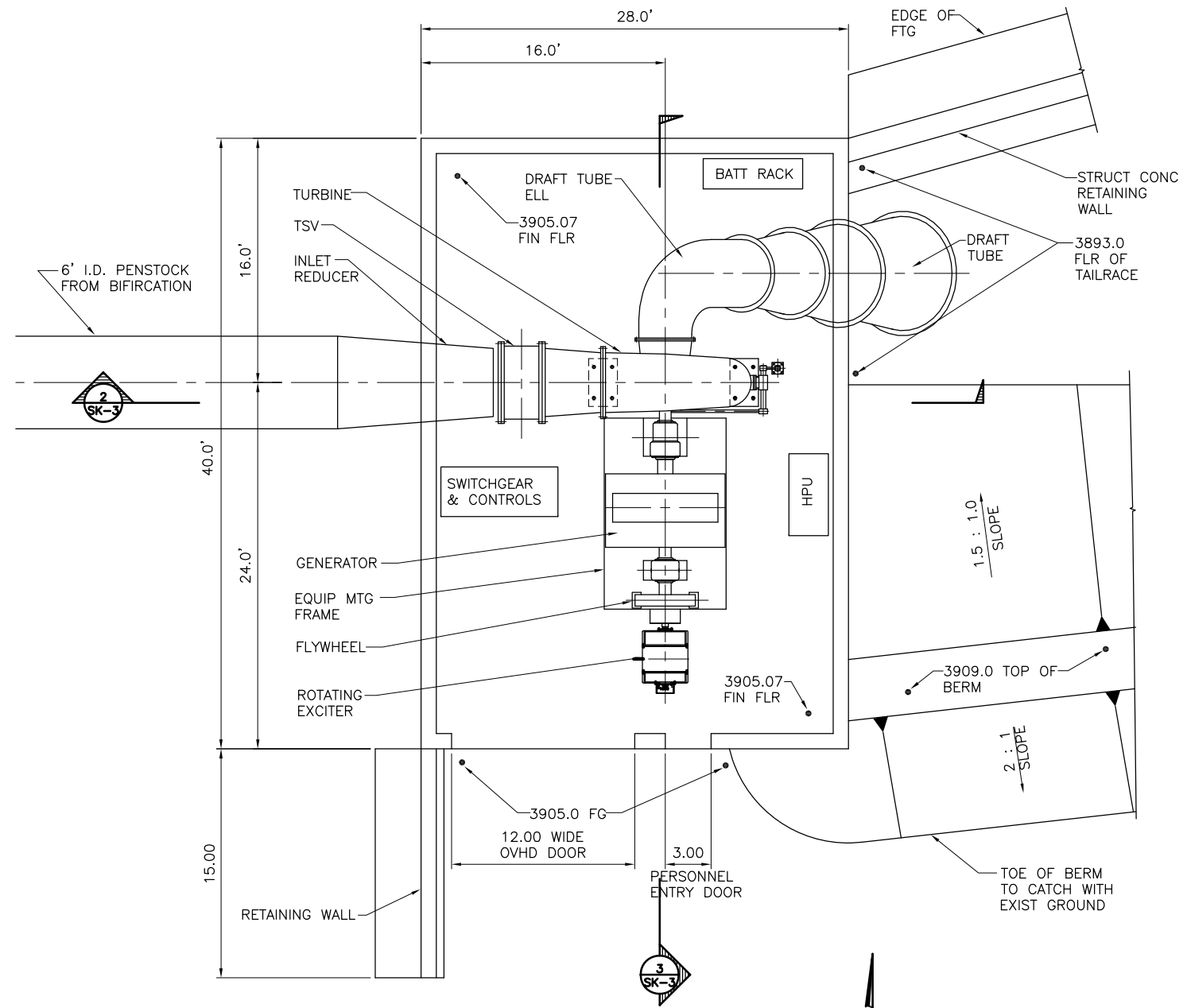
	REVISIONS				
OCTOBER 2009	SPB	SUB	TSS	TSS	TSS
DRAWN	CHECKED	APPROVED	ENGINEER	ENGINEER	ENGINEER
<b>MASON DAM HYDROELECTRIC PROJECT</b> <b>BAKER VALLEY IRRIGATION DISTRICT</b> PRELIMINARY PERMIT DRAWINGS PROPOSED OUTLET WORKS FEATURES					
<b>SORENSEN ENGINEERING</b> CONSULTING ENGINEERS IDAHO FALLS, IDAHO					
SCALE: 1" = 10'					
THIS DRAWING SHEET HAS BEEN REDUCED TO ONE-HALF SIZE--REDUCE SCALES ACCORDINGLY DRAWING NO. <b>D09-1021</b> SHEET NO. <b>SK-2</b>					



**POWERHOUSE SECT 1**  
SCALE: 1" = 5'  
SK-3



**POWERHOUSE SECT 1**  
SCALE: 1" = 5'  
SK-3



**POWERHOUSE PLAN 1**  
SCALE: 1" = 5'  
SK-3

**REVISIONS**

REV	DATE	BY	CHKD	APPD	DESCRIPTION
1	OCTOBER 2009	SPB	SJB	TSS	

**MASON DAM HYDROELECTRIC PROJECT  
BAKER VALLEY IRRIGATION DISTRICT**  
PRELIMINARY PERMIT DRAWINGS  
PROPOSED NEW OUTLET WORKS FEATURES  
POWERHOUSE PLAN & SECTIONS

**SORENSEN ENGINEERING**  
CONSULTING ENGINEERS  
IDAHO FALLS, IDAHO

SCALE: 1" = 5'

DRAWING NO. **D09-1021**  
SHEET NO. **SK-3**

THIS DRAWING SHEET HAS BEEN REDUCED TO ONE-HALF SIZE--REDUCE SCALES ACCORDINGLY